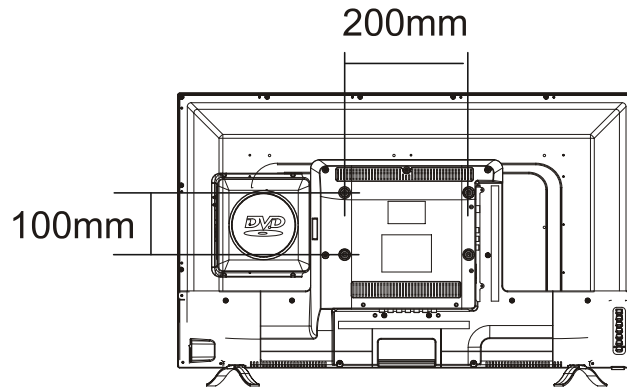


Wall Mount Specifications

Model No.LT-32ND35A

Compatible wall-mount size	Screw size for connecting the TV to the wall mount
VESA 200*100	Pan Head Screw M4 x 16(mm)*

** The length of the screw specified is only a recommendation; actual length required can vary depending on the type of wall mount used.*



Note:

1. Wall Mount is not included with the TV; it needs to be purchased separately.
2. Use only VESA-compatible wall mounts according to the specifications recommended for this model. Use of other wall mounts, or inappropriate installation may cause personal injuries or damage to the TV.
3. Please follow all instructions from the user manual of your chosen wall mount.